

MSTB 2,5/ 7-ST

Order No.: 1754546

The figure shows a 10-position version of the product

<http://eshop.phoenixcontact.de/phoenix/treeViewClick.do?UID=1754546>Plug component, nominal current: 12 A, rated voltage: 250 V, pitch:
5.0 mm, no. of positions: 7, type of connection: Screw connection

Commercial data

EAN	4017918028718
Pack	50 Pcs.
Customs tariff	85366990
Weight/Piece	0.01208 KG
Catalog page information	Page 174 (CC-2007)

Product notes

WEEE/RoHS-compliant since:
01/01/2003

<http://www.download.phoenixcontact.com>
Please note that the data given here has been taken from the online catalog. For comprehensive information and data, please refer to the user documentation. The General Terms and Conditions of Use apply to Internet downloads.

Technical data

Dimensions / positions

Pitch	5 mm
Dimension a	30 mm
Number of positions	7
Screw thread	M 3
Tightening torque, min	0.5 Nm

Technical data

Insulating material group	I
Rated surge voltage (III/3)	4 kV
Rated surge voltage (III/2)	4 kV
Rated surge voltage (II/2)	4 kV
Rated voltage (III/2)	320 V
Rated voltage (II/2)	630 V
Connection in acc. with standard	EN-VDE
Nominal current I_N	12 A
Nominal voltage U_N	250 V
Nominal cross section	2.5 mm ²
Maximum load current	12 A (with 2.5 mm ² conductor cross section)
Insulating material	PA
Inflammability class acc. to UL 94	V0
Internal cylindrical gage	A3
Stripping length	7 mm

Connection data

Conductor cross section solid min.	0.2 mm ²
Conductor cross section solid max.	2.5 mm ²
Conductor cross section stranded min.	0.2 mm ²
Conductor cross section stranded max.	2.5 mm ²
Conductor cross section stranded, with ferrule without plastic sleeve min.	0.25 mm ²
Conductor cross section stranded, with ferrule without plastic sleeve max.	2.5 mm ²
Conductor cross section stranded, with ferrule with plastic sleeve min.	0.25 mm ²
Conductor cross section stranded, with ferrule with plastic sleeve max.	2.5 mm ²
Conductor cross section AWG/kcmil min.	24
Conductor cross section AWG/kcmil max	12
2 conductors with same cross section, solid min.	0.2 mm ²
2 conductors with same cross section, solid max.	1 mm ²
2 conductors with same cross section, stranded min.	0.2 mm ²

2 conductors with same cross section, stranded max.	1.5 mm ²
2 conductors with same cross section, stranded, ferrules without plastic sleeve, min.	0.25 mm ²
2 conductors with same cross section, stranded, ferrules without plastic sleeve, max.	1 mm ²
2 conductors with same cross section, stranded, TWIN ferrules with plastic sleeve, min.	0.5 mm ²
2 conductors with same cross section, stranded, TWIN ferrules with plastic sleeve, max.	1.5 mm ²

Certificates / Approvals



CSA

Nominal voltage U _N	300 V
Nominal current I _N	10 A
AWG/kcmil	28-12

CUL

Nominal voltage U _N	300 V
Nominal current I _N	10 A
AWG/kcmil	30-12

UL

Nominal voltage U _N	300 V
Nominal current I _N	10 A
AWG/kcmil	30-12
Certification	CB, CSA, CUL, GOST, UL, VDE-PZI

Accessories

Item	Designation	Description
General		
1733169	EBP 2- 5	Insertion bridge, fully insulated, for plug connectors with 5.0 or 5.08 mm pitch, no. of positions: 2
1803918	KGG-MSTB 2,5/ 7	Cable housing, for cable diameters of 5 -9.5 mm, clamp, screws, and marker strips are included, color: green, no. of positions: 7

Marking

0804293	SK 5,08/3,8:FORTL.ZAHLEN	Marker card, printed horizontally, self-adhesive, 12 identical decades marked 1-10, 11-20 etc. up to 91-(99)100, sufficient for 120 terminal blocks
---------	--------------------------	---

Plug/Adapter

1734634	CP-MSTB	Coding profile, is inserted into the slot on the plug or inverted header, red insulating material
---------	---------	---

Tools

1205053	SZS 0,6X3,5	Screwdriver, bladed, matches all screw terminal blocks up to 4.0 mm ² connection cross section, blade: 0.6 x 3.5 mm, without VDE approval
---------	-------------	--

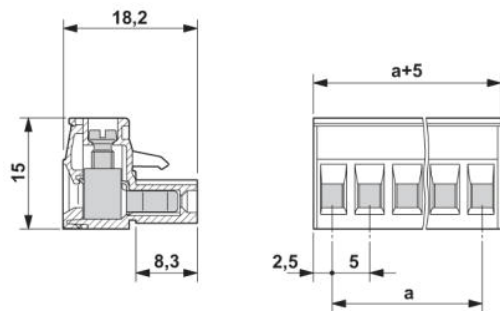
Additional products

Item	Designation	Description
General		
0707154	DFK-MSTB 2,5/ 7-G	Header, nominal current: 12 A, rated voltage: 320 V, pitch: 5.0 mm, no. of positions: 7, mounting: Direct mounting
1899896	EMSTBA 2,5/ 7-G	Header, nominal current: 12 A, rated voltage: 250 V, pitch: 5.0 mm, no. of positions: 7, mounting: press in
1914904	EMSTBVA 2,5/ 7-G	Header, nominal current: 12 A, rated voltage: 200 V, pitch: 5.0 mm, no. of positions: 7, mounting: press in
1762745	MDSTB 2,5/ 7-G1	Header, nominal current: 10 A, rated voltage: 250 V, pitch: 5.0 mm, no. of positions: 7, mounting: Soldering
1846564	MDSTBA 2,5/ 7-G	Header, nominal current: 10 A, rated voltage: 250 V, pitch: 5.0 mm, no. of positions: 7, mounting: Soldering
1762897	MDSTBV 2,5/ 7-G1	Header, nominal current: 10 A, rated voltage: 250 V, pitch: 5.0 mm, no. of positions: 7, mounting: Soldering
1845837	MDSTBVA 2,5/ 7-G	Header, nominal current: 10 A, rated voltage: 250 V, pitch: 5.0 mm, no. of positions: 7, mounting: Soldering
1754533	MSTB 2,5/ 7-G	Header, nominal current: 12 A, rated voltage: 250 V, pitch: 5.0 mm, no. of positions: 7, mounting: Soldering
1768231	MSTB 2,5/ 7-G-LA	Header, nominal current: 12 A, rated voltage: 250 V, pitch: 5.0 mm, no. of positions: 7, mounting: Soldering
1755493	MSTBA 2,5/ 7-G	Header, nominal current: 12 A, rated voltage: 250 V, pitch: 5.0 mm, no. of positions: 7, mounting: Soldering
1770533	MSTBA 2,5/ 7-G-LA	Header, nominal current: 12 A, rated voltage: 250 V, pitch: 5.0 mm, no. of positions: 7, mounting: Soldering
1753534	MSTBV 2,5/ 7-G	Header, nominal current: 12 A, rated voltage: 250 V, pitch: 5.0 mm, no. of positions: 7, mounting: Soldering
1755561	MSTBVA 2,5/ 7-G	Header, nominal current: 12 A, rated voltage: 250 V, pitch: 5.0 mm, no. of positions: 7, mounting: Soldering

1736069	MSTBW 2,5/ 7-G	Header, nominal current: 12 A, rated voltage: 250 V, pitch: 5.0 mm, no. of positions: 7, mounting: Soldering
1769285	SMSTB 2,5/ 7-G	Header, nominal current: 12 A, rated voltage: 250 V, pitch: 5.0 mm, no. of positions: 7, mounting: Soldering
1769858	SMSTBA 2,5/ 7-G	Header, nominal current: 12 A, rated voltage: 250 V, pitch: 5.0 mm, no. of positions: 7, mounting: Soldering

Drawings

Dimensioned drawing



Address

PHOENIX CONTACT Inc., USA
586 Fulling Mill Road
Middletown, PA 17057, USA
Phone (800) 888-7388
Fax (717) 944-1625
<http://www.phoenixcon.com>



© 2008 Phoenix Contact
Technical modifications reserved;